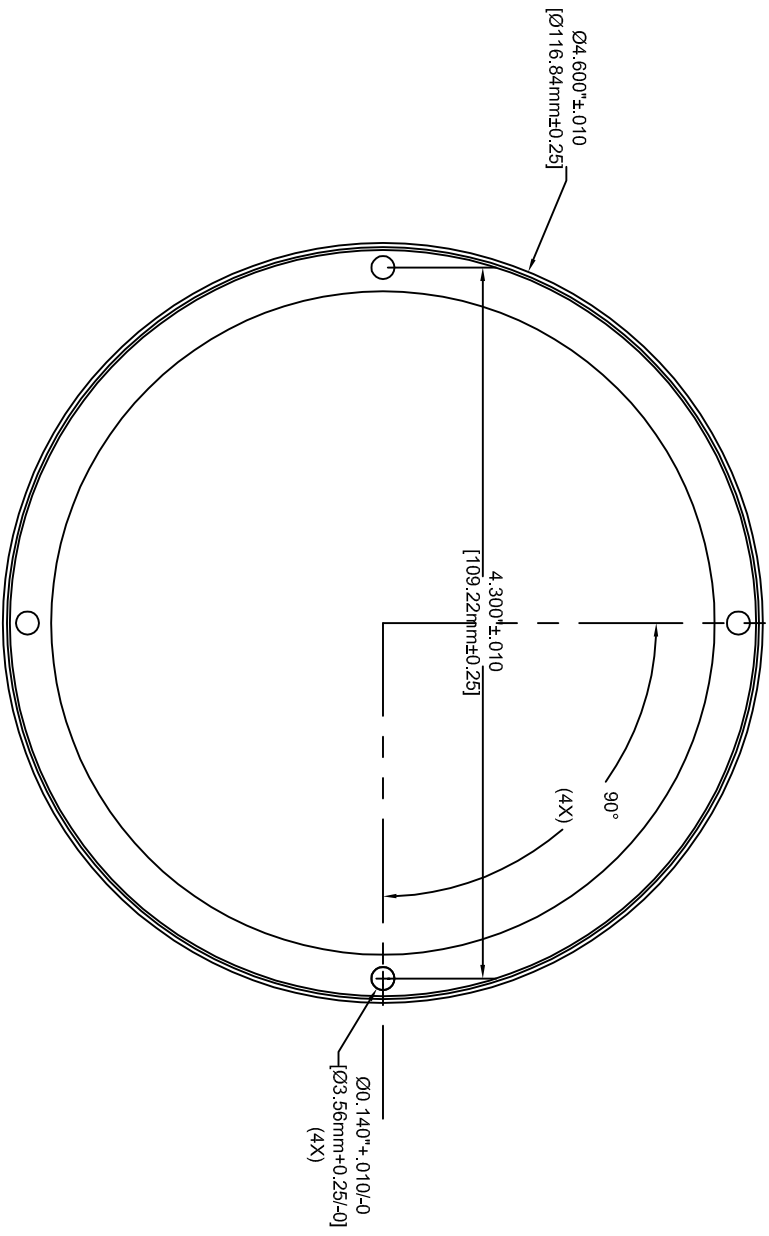


FOR AEGIS SGR Outside Diameter: 4.60" [116.84mm]



Part Number	Description	Qty

UNLESS OTHERWISE SPECIFIED  
 DIMENSIONS ARE IN:  
 MILLIMETERS   
 INCHES   
 UNTOLERANCED DIMENSIONS  
 OVER TO TOLERANCE

**ELECTRO STATIC TECHNOLOGY**  
 AN ITW COMPANY

31 WINTERBROOK ROAD, MECHANIC FALLS, MAINE 04256  
 PHONE (207)998-3493 FAX (207)998-5143

DATE: 12/16/08  
 ENGINEER: J. Richardson  
 DRAWING NO. SGR-XXX.X-3  
 Rev E

**Note:**  
 Supplied With M3-.5 X 14 Cap Screws  
 And M3 Split Lock Washers

