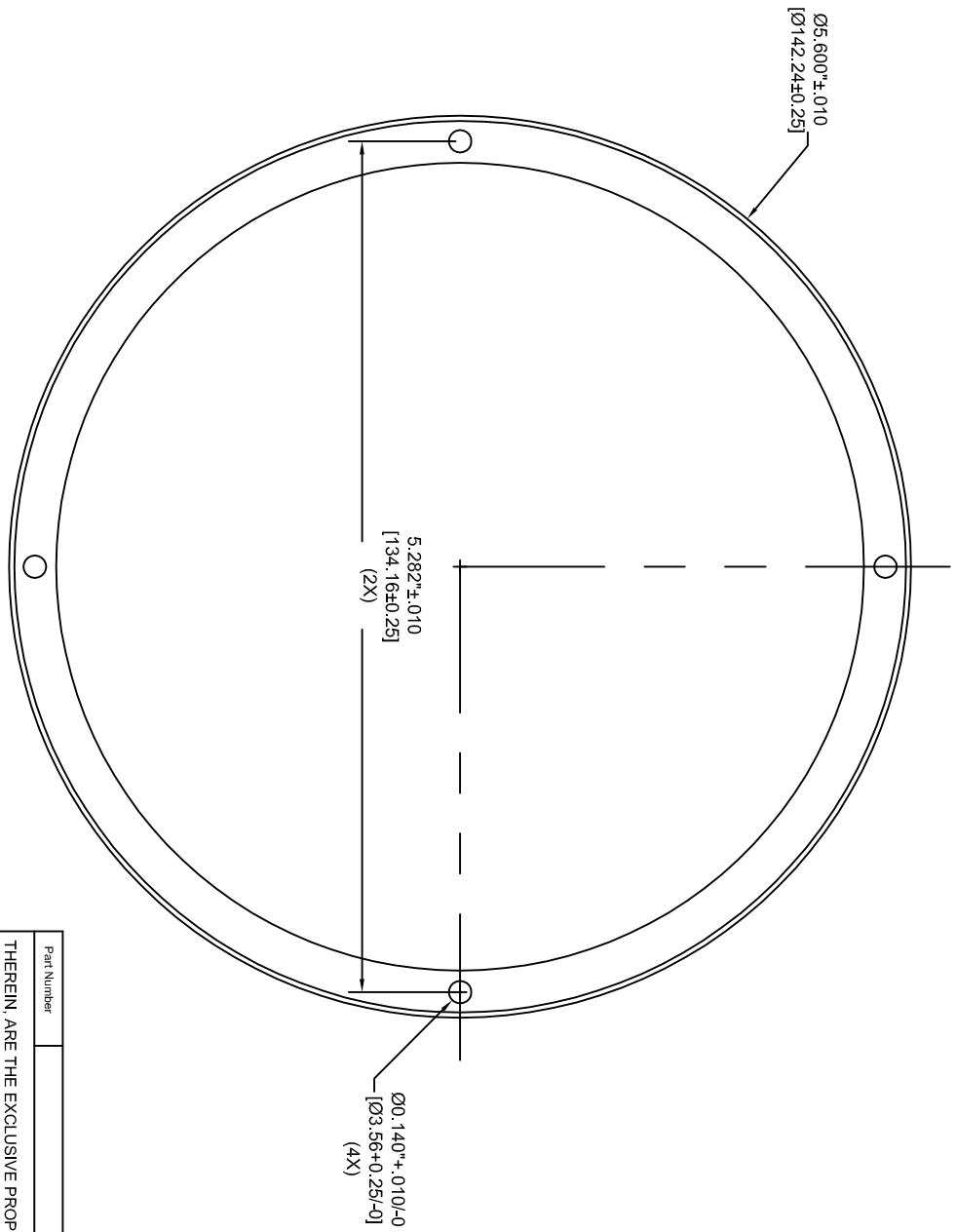


For AEGIS SGR Outside Diameter: 5.60" [142.24mm]



Note:
 Supplied With M3-.5 X 14 Cap Screws
 And M3 Split Lock Washers

Part Number	Description	Qty
UNLESS OTHERWISE SPECIFIED DIMENSIONS ARE IN: MILLIMETERS <input checked="" type="checkbox"/> INCHES <input checked="" type="checkbox"/> UNTOLERANCED DIMENSIONS OVER TO TOLERANCE		
THEREIN ARE THE EXCLUSIVE PROPERTY OF ELECTRO STATIC TECHNOLOGY ISSUED IN STRICT CONFIDENCE AND SHALL NOT WITHOUT CONSENT. BE REPRODUCED, COPIED OR USED FOR ANY PURPOSE WHATSOEVER, EXCEPT BUSINESS WITH E.S.T.		
UNLESS OTHERWISE SPECIFIED DIMENSIONS ARE IN: MILLIMETERS <input checked="" type="checkbox"/> INCHES <input checked="" type="checkbox"/> UNTOLERANCED DIMENSIONS OVER TO TOLERANCE		
DATE: 12/16/08 ENGINEER: J. Richardson		
ELECTRO STATIC TECHNOLOGY AN ITW COMPANY 31 WINTERBROOK ROAD, MECHANIC FALLS, MAINE 04256 PHONE (207)998-3493 FAX (207)998-5143		
AEGIS SGR Bolt Through Mounting		
DRAWING NO. SGR-XXX.X-3		Rev E