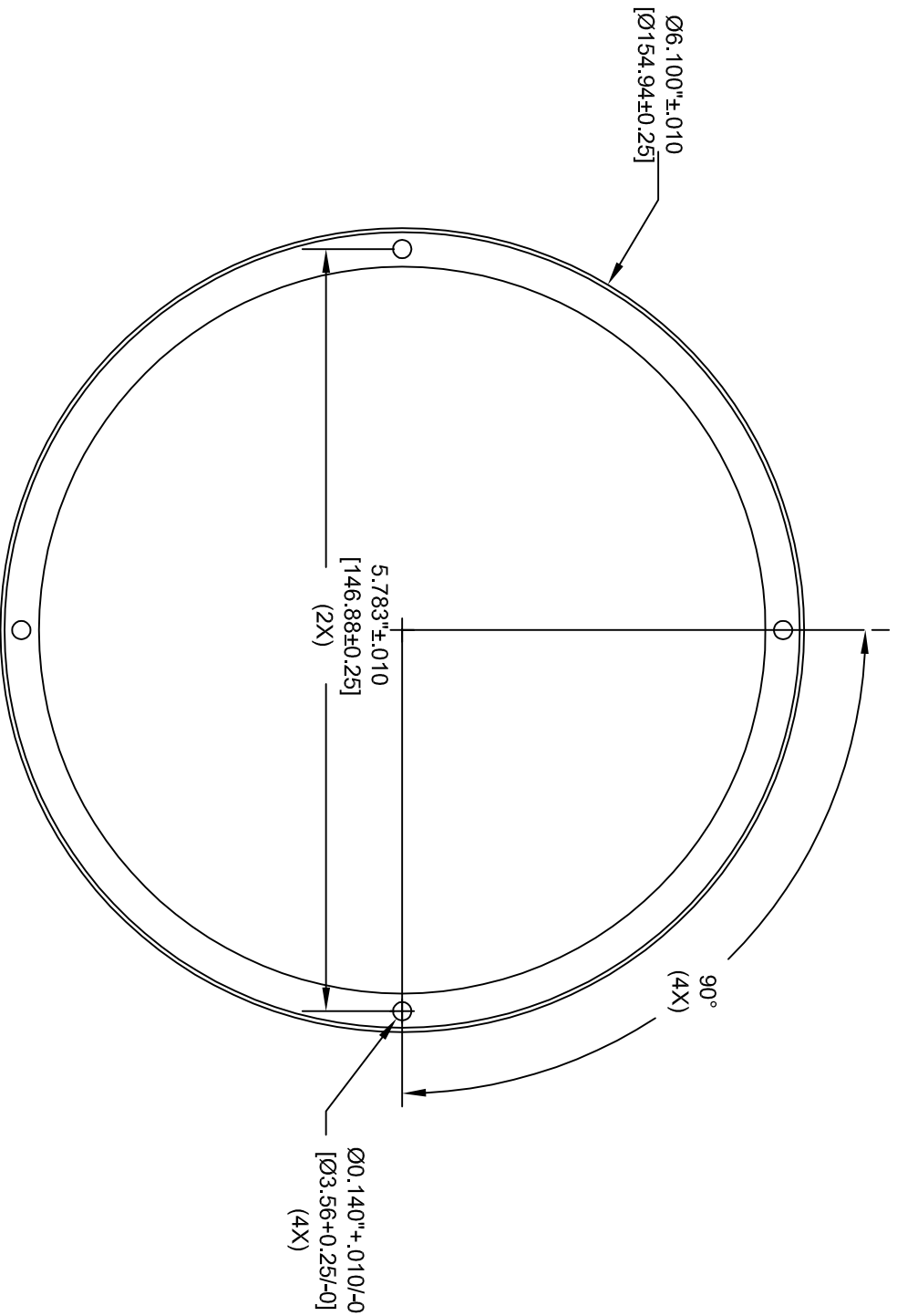


For AEGIS SGR Outside Diameter; 6.10" [154.94mm]



THEREIN, ARE THE EXCLUSIVE PROPERTY OF ELECTRO STATIC TECHNOLOGY ISSUED IN STRICT CONFIDENCE AND SHALL NOT WITHOUT CONSENT, BE REPRODUCED, COPIED OR USED FOR ANY PURPOSE WHATSOEVER, EXCEPT BUSINESS WITH E.S.T.

UNLESS OTHERWISE SPECIFIED

DIMENSIONS ARE IN:

MILLIMETERS

INCHES

UNTOLERANGED DIMENSIONS

DATE: 12/16/08

ENGINEER: J. Richardson



ELECTRO STATIC TECHNOLOGY

ANI ITW COMPANY

31 WINTERBROOK ROAD, MECHANIC FALLS, MAINE 04256

PHONE (207)998-5140 FAX (207)998-5143

AEGIS SGR Bolt Through Mounting

DRAWING NO. SGR-XXX-X-3

Rev. E

Note:
 Supplied With M3-.5x14 Cap Screws
 And M3 Split Lock Washers