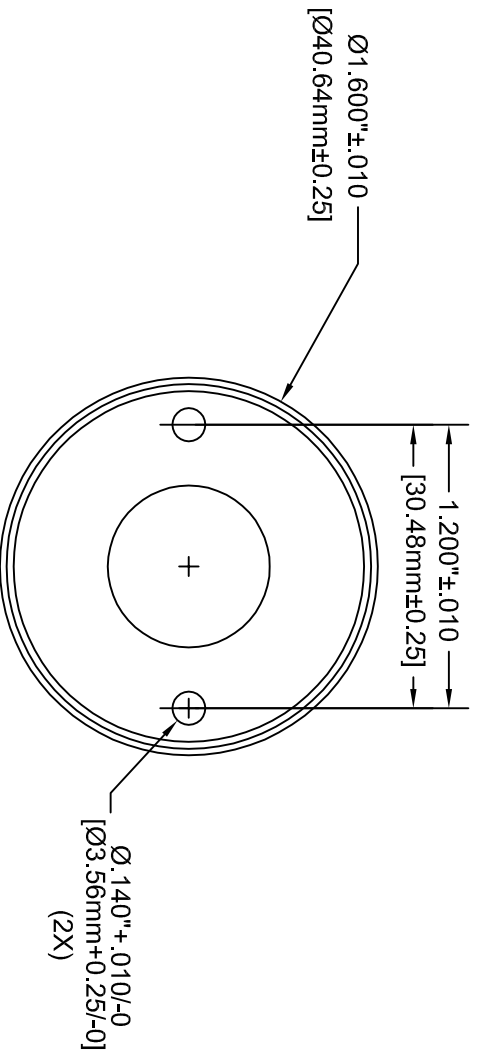


For AEGIS SGR Outside Diameter : 1.60" [40.64mm]



Part Number	Description	Qty
	<p>UNLESS OTHERWISE SPECIFIED</p> <p>DIMENSIONS ARE IN:</p> <p>MILLIMETERS <input checked="" type="checkbox"/></p> <p>INCHES <input checked="" type="checkbox"/></p> <p>UNTOLERANCED DIMENSIONS</p> <p>OVER TO TOLERANCE</p> <p>DATE: 12/16/08</p> <p>ENGINEER: J. Richardson</p>	


ELECTRO STATIC TECHNOLOGY
 AN ITW COMPANY

31 WINTERBROOK ROAD, MECHANIC FALLS, MAINE 04256
 PHONE (207)998-3493 FAX (207)998-5143

DRAWING NO. SGR-XXX.X-3		Rev E
AEGIS SGR Bolt Through Mounting		

Note:
 Supplied With M3-.5 X 14 Cap Screws
 And M3 Split Lock Washers