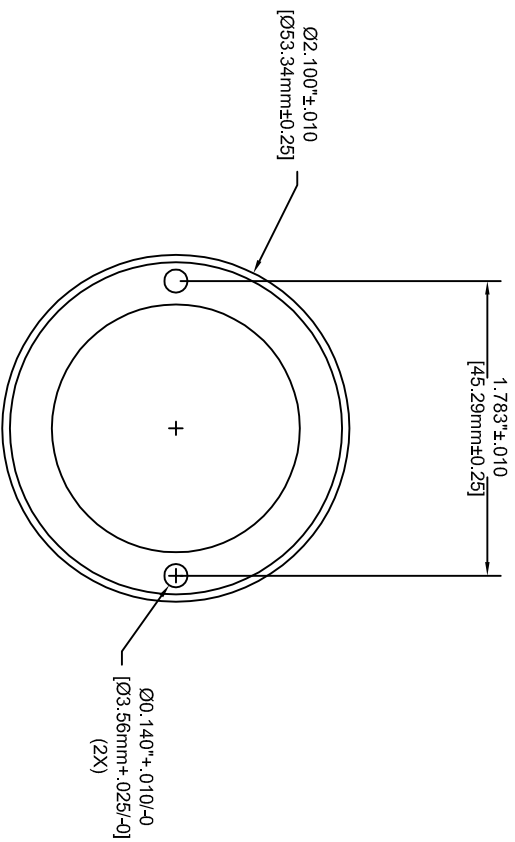


For AEGIS Outside Diameter: 2.10" [53.34mm]



**Note:**  
 Supplied With M3-.5 X 14 Cap Screws  
 And M3 Split Lock Washers

Part Number	Description	Qty
	<p>UNLESS OTHERWISE SPECIFIED</p> <p>DIMENSIONS ARE IN:</p> <p>MILLIMETERS <input checked="" type="checkbox"/></p> <p>INCHES <input type="checkbox"/></p> <p>UNTOLERANCED DIMENSIONS</p> <p>OVER TO TOLERANCE</p> <p>DATE: 12/16/08</p> <p>ENGINEER: J. Richardson</p>	

**ELECTRO STATIC TECHNOLOGY**  
 AN ITW COMPANY

31 WINTERBROOK ROAD, MECHANIC FALLS, MAINE 04256  
 PHONE (207)998-3493 FAX (207)998-5143

AEGIS SGR Bolt Through Mounting	
DRAWING NO.	SGR-XXX.X-3
Rev	E