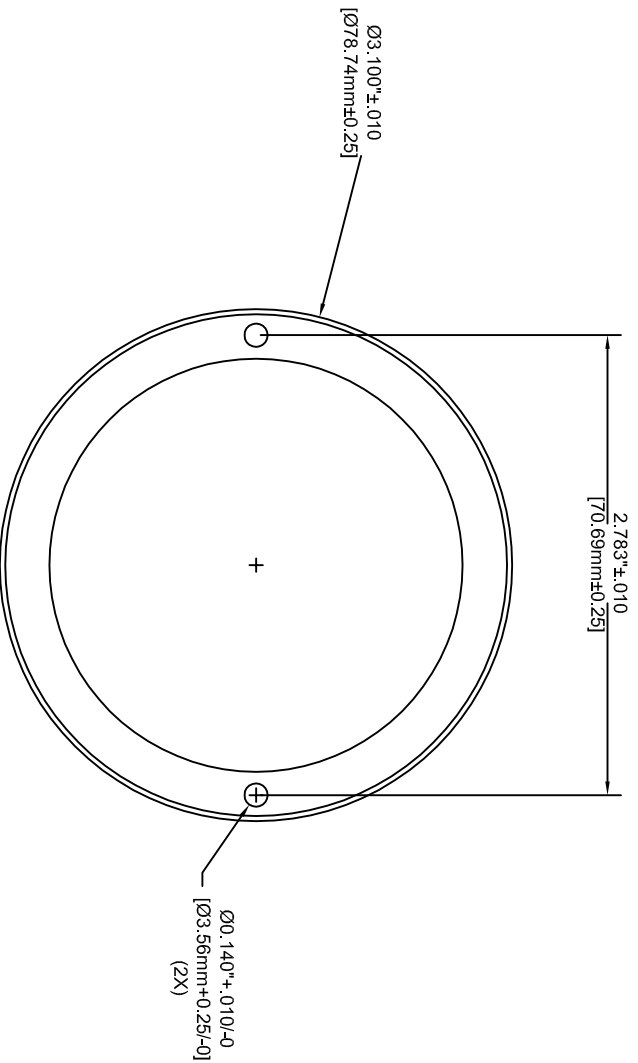


For AEGIS SGR Outside Diameter: 3.10" [78.74mm]



Note:  
 Supplied With M3-.5 X 14 Cap Screws  
 And M3 Split Lock Washers

Part Number	Description	Qty
THEREIN ARE THE EXCLUSIVE PROPERTY OF ELECTRO STATIC TECHNOLOGY ISSUED IN STRICT CONFIDENCE AND SHALL NOT WITHOUT CONSENT, BE REPRODUCED, COPIED OR USED FOR ANY PURPOSE WHATSOEVER, EXCEPT BUSINESS WITH E.S.T.		
UNLESS OTHERWISE SPECIFIED		
DIMENSIONS ARE IN:		
MILLIMETERS <input checked="" type="checkbox"/>		
INCHES <input checked="" type="checkbox"/>		
UNTOLERANCED DIMENSIONS		
OVER	TO	TOLERANCE
DATE: 12/16/08		
ENGINEER: J. Richardson		


**ELECTRO STATIC TECHNOLOGY**  
 AN ITW COMPANY  
 31 WINTERBROOK ROAD, MECHANIC FALLS, MAINE 04256  
 PHONE (207)998-3493 FAX (207)998-5143

DRAWING NO.	SGR-XXX.X-3	Rev E
-------------	-------------	-------