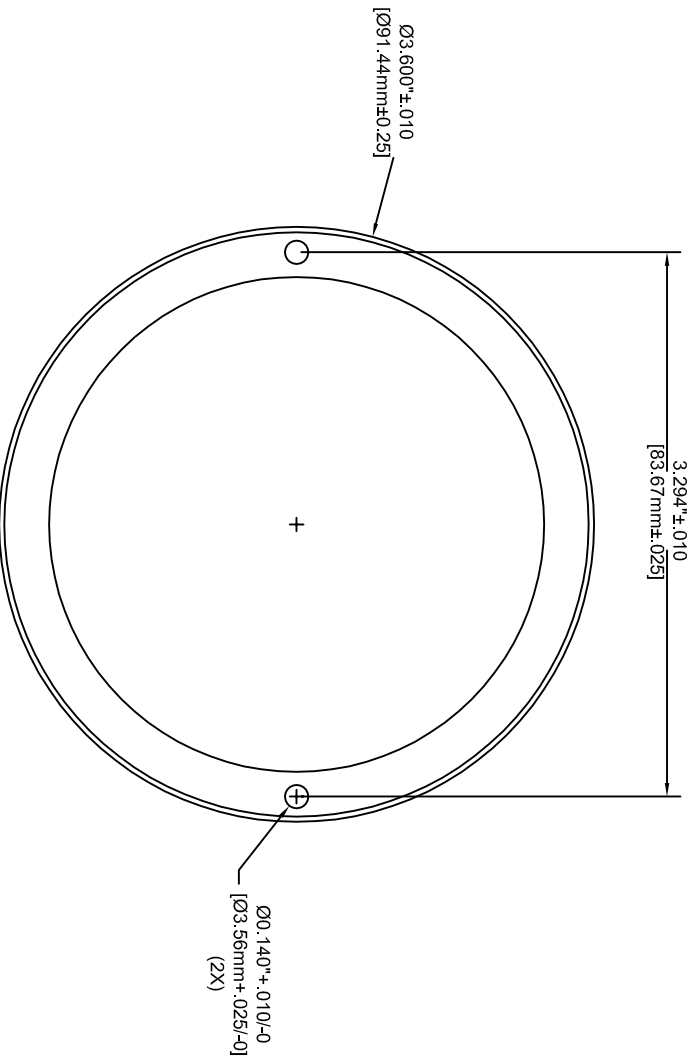


For AEGIS SGR Outside Diameter: 3.60" [91.44mm]



Part Number	Description	Qty
	THEREIN, ARE THE EXCLUSIVE PROPERTY OF ELECTRO STATIC TECHNOLOGY ISSUED IN STRICT CONFIDENCE AND SHALL NOT WITHOUT CONSENT, BE REPRODUCED, COPIED OR USED FOR ANY PURPOSE WHATSOEVER, EXCEPT BUSINESS WITH E.S.T.	

UNLESS OTHERWISE SPECIFIED  
 DIMENSIONS ARE IN:  
 MILLIMETERS   
 INCHES   
 UNTOLERANCED DIMENSIONS

OVER TO TOLERANCE

DATE: 12/16/08  
 ENGINEER: J. Richardson



**ELECTRO STATIC TECHNOLOGY**  
 AN ITW COMPANY

31 WINTERBROOK ROAD, MECHANIC FALLS, MAINE 04256  
 PHONE (207)998-3493 FAX (207)998-5143

**AEGIS SGR Bolt Through Mounting**

DRAWING NO. SGR-XXX.X-3 Rev E

**Note:**  
 Supplied With M3-.5 X 14 Cap Screws  
 And M3 Split Lock Washers