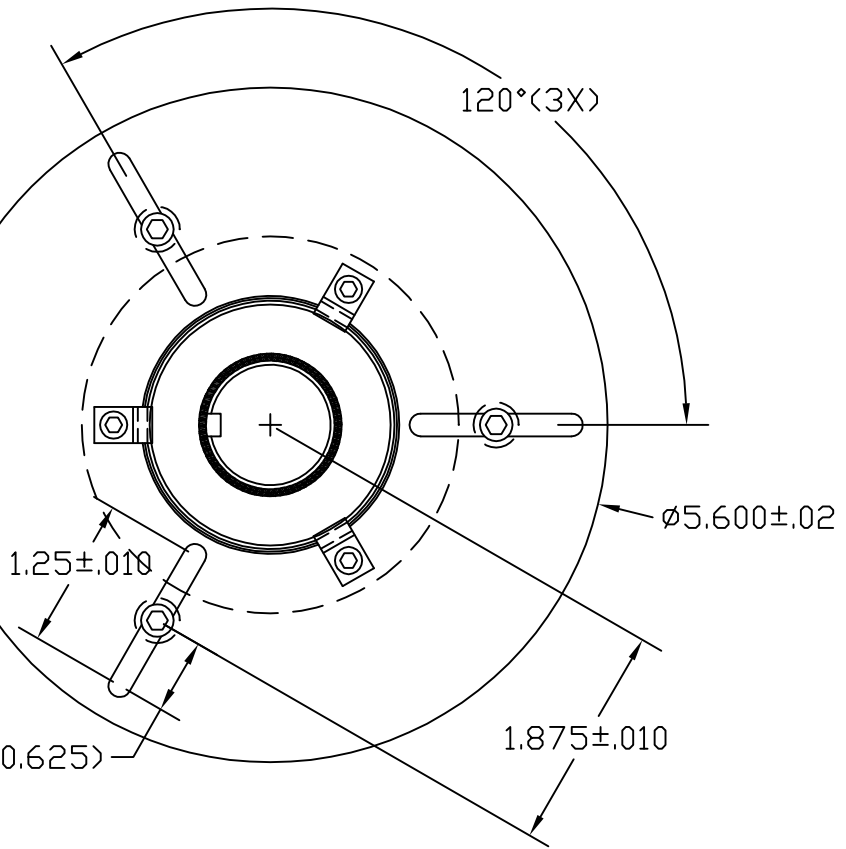


Fits Shaft Diameter: .875"
 NEMA FRAME
 143 T
 145 T

Motor End Bell

Spacer

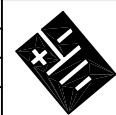
Spacer Length Per Application



- Mounting Plate: Aluminum
- Flat Washers: #8 SAE Zinc-Plated Steel (rust resistant)
- Lock Washer: #8 medium Steel Split-plain steel
- Screws: 8-32 Socket Head Cap Screws-Alloy Steel
- Spacer: 3/8" OD #8 Screw Clearance -Aluminum
- Unthreaded Round Spacer

THEREIN, ARE THE EXCLUSIVE PROPERTY OF ELECTRO STATIC TECHNOLOGY ISSUED IN STRICT CONFIDENCE AND SHALL NOT WITHOUT CONSENT, BE REPRODUCED, COPIED OR USED FOR ANY PURPOSE WHATSOEVER, EXCEPT BUSINESS WITH E.S.T.

UNLESS OTHERWISE SPECIFIED		
DIMENSIONS ARE IN.		
MILLIMETERS	<input type="checkbox"/>	
INCHES	<input checked="" type="checkbox"/>	
UNTOLERANCED DIMENSIONS		
OVER	TO	TOLERANCE
4/18/07		
ENGINEER: J. Richardson		



ELECTRO STATIC TECHNOLOGY
 AN ITW COMPANY

31 WINTERBROOK ROAD, MECHANIC FALLS, MAINE 04256
 PHONE (207)998-5140 FAX (207)998-5143

AEGIS NEMA SHAFT GROUNDING KIT

DWG NO. SGR-0.875-NEMA Rev. *B

US Patent No 7,136,271 & 7,193,836 Other patents pending