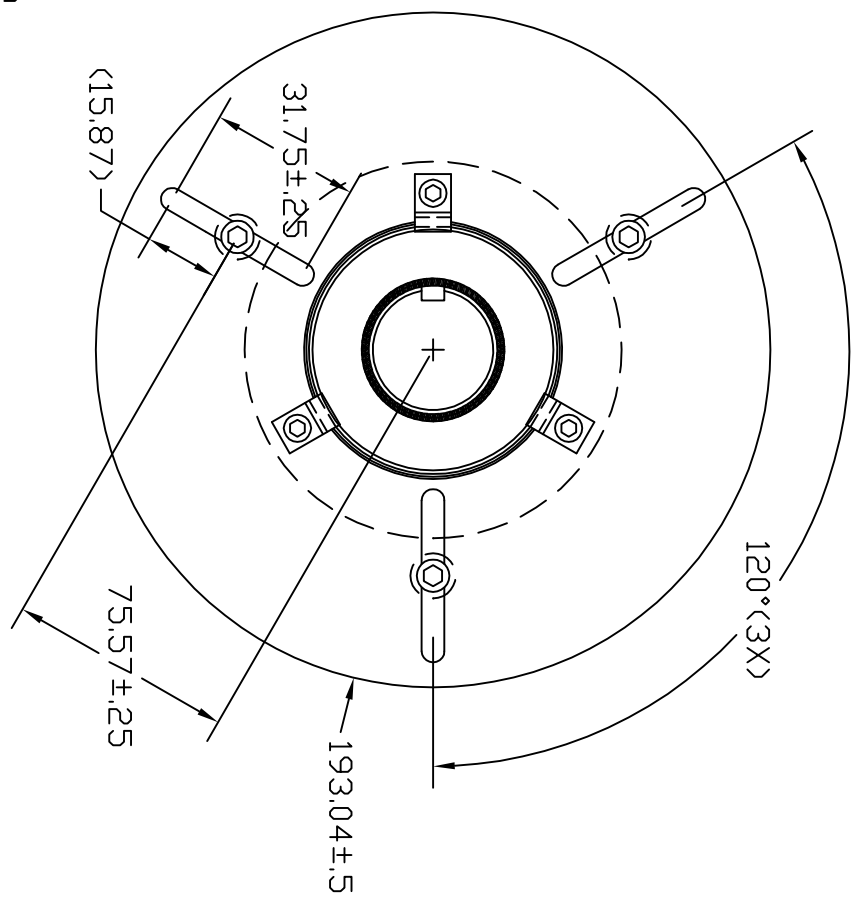
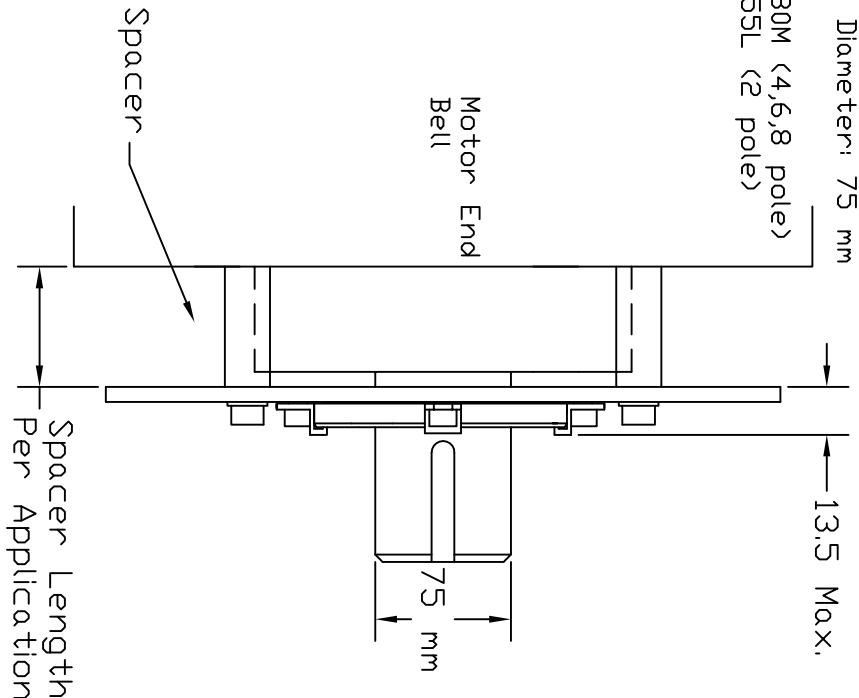


Fits Shaft Diameter: 75 mm  
 IEC FRAME  
 IEC 280S,280M (4,6,8 pole)  
 IEC 355M,355L (2 pole)



- Mounting Plate: Aluminum
- Flat Washers: #8 SAE Zinc-Plated Steel (rust resistant)
- Lock Washer: #8 medium Steel Split-plain steel
- Screws: M4X.70 Socket Head Cap Screws-Alloy Steel
- Spacer: 6mm OD With M4 Screw Clearance -Aluminum
- Unthreaded Round Spacer

THEREIN ARE THE EXCLUSIVE PROPERTY OF ELECTRO STATIC TECHNOLOGY ISSUED IN STRICT CONFIDENCE AND SHALL NOT WITHOUT CONSENT, BE REPRODUCED, COPIED OR USED FOR ANY PURPOSE WHATSOEVER, EXCEPT BUSINESS WITH E.S.T.



**ELECTRO STATIC TECHNOLOGY**  
 AN ITW COMPANY

31 WINTERBROOK ROAD, MECHANIC FALLS, MAINE 04256  
 PHONE (207)998-5140 FAX (207)998-5143

AEGIS IEC SHAFT GROUNDING KIT

DATE: 4/18/07  
 ENGINEER: J. Richardson  
 DWG NO. SGR-75-IEC  
 Rev. \*A

US Patent No 7,136,271 & 7,193,836 Other patents pending