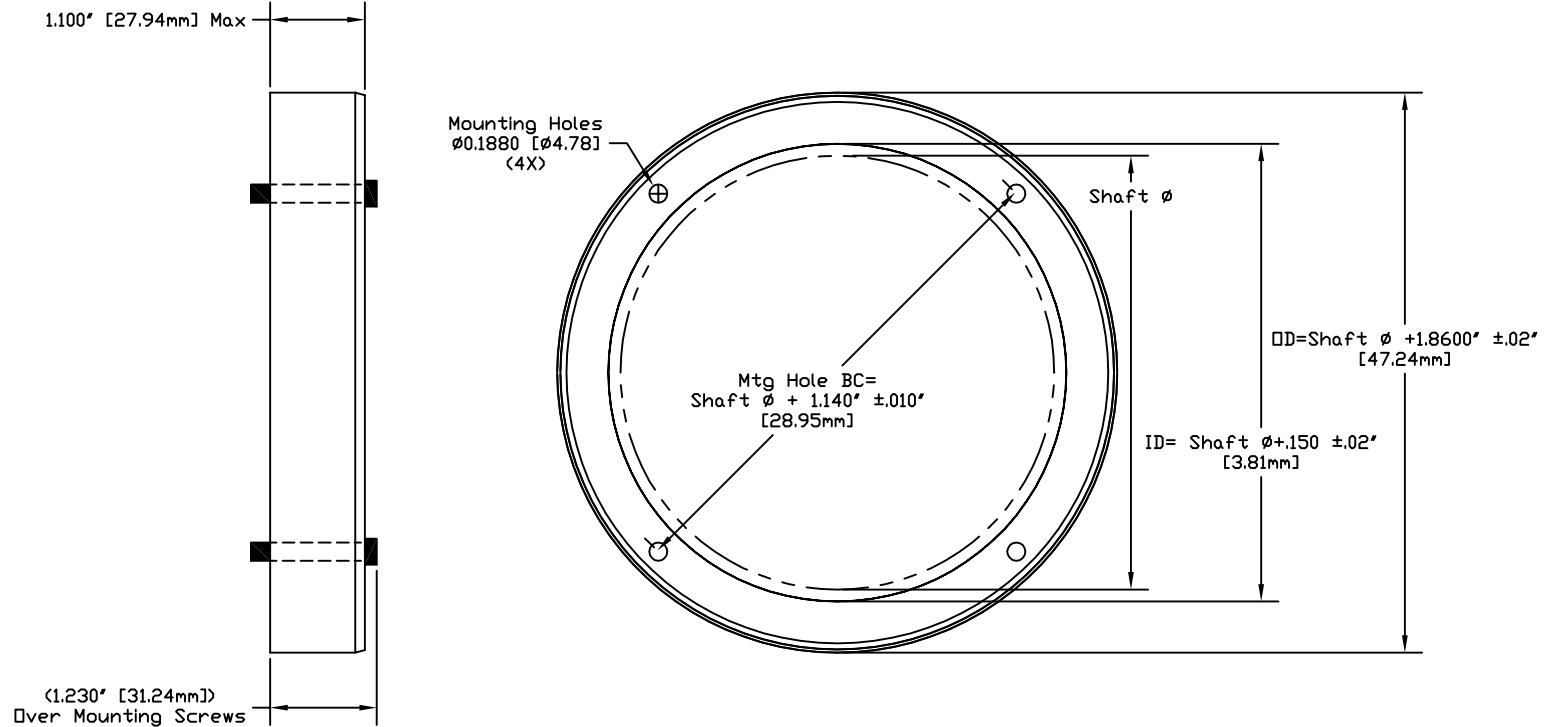


Patented Technology



Fiber $\varnothing = \text{Shaft } \varnothing - 0.060' \pm 0.010$ [1.52mm ± 0.25]

THEREIN, ARE THE EXCLUSIVE PROPERTY OF ELECTRO STATIC TECHNOLOGY ISSUED IN STRICT CONFIDENCE AND SHALL NOT WITHOUT CONSENT, BE REPRODUCED, COPIED OR USED FOR ANY PURPOSE WHATSOEVER, EXCEPT BUSINESS WITH E.S.T.

UNLESS OTHERWISE SPECIFIED

DIMENSIONS ARE IN:

MILLIMETERS

INCHES

UNTOLERANCED DIMENSIONS

OVER	TO	TOLERANCE

DATE: 5/26/10

ENGINEER: J. Richardson



ELECTRO STATIC TECHNOLOGY
 AN ITW COMPANY

31 WINTERBROOK ROAD, MECHANIC FALLS, MAINE 04256
 PHONE (207)998-5140 FAX (207)998-5143

iPRO120 Bearing Protection Ring™

iPRO120 Solid Template

Rev. G

- Notes:
- 1: iPRO120-_____-1 Supplied With 4, 8-32 X 1 1/4" SHCS And Split Lock Washers
 - 2: iPRO120-_____-2 Supplied With 4 M4x.7x30mm SHCS And Split Lock Washers
 - 3: Contains 6 rows of conductive micro fibers
 - 4: To be Installed In Conjunction With Aegis Colloidal Silver Coating PN CS015