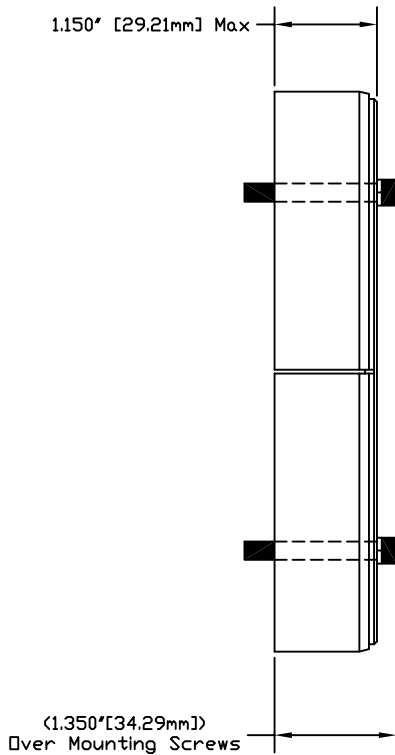
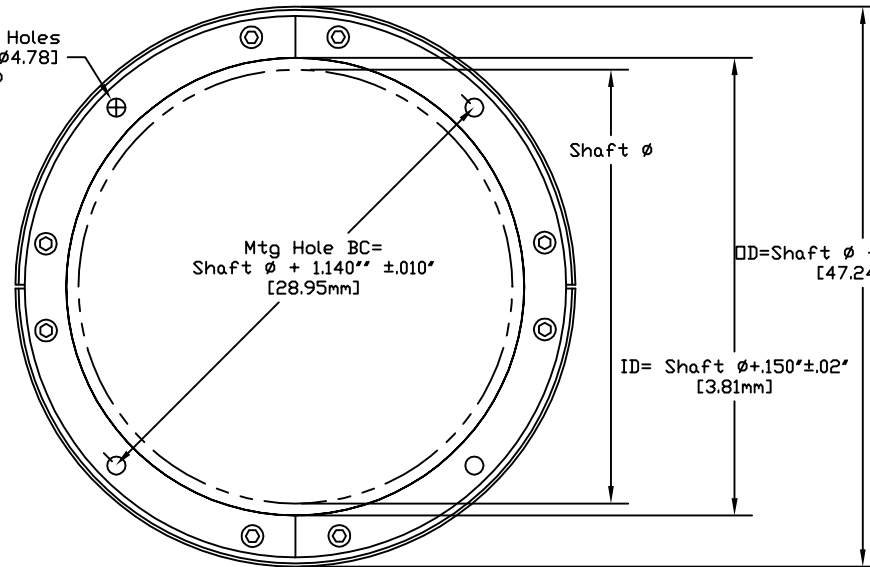


Patented Technology



Mounting Holes
 $\phi 0.1880$ [$\phi 4.78$]
 (4X)

Mtg Hole BC=
 Shaft $\phi + 1.140'' \pm 0.010''$
 [28.95mm]



Fiber ϕ =Shaft $\phi - .060'' \pm 0.010$ [1.52mm ± 0.25]

THEREIN, ARE THE EXCLUSIVE PROPERTY OF ELECTRO STATIC TECHNOLOGY ISSUED IN STRICT CONFIDENCE AND SHALL NOT WITHOUT CONSENT, BE REPRODUCED, COPIED OR USED FOR ANY PURPOSE WHATSOEVER, EXCEPT BUSINESS WITH E.S.T.

UNLESS OTHERWISE SPECIFIED
 DIMENSIONS ARE IN:
 MILLIMETERS
 INCHES
 UNTOLERANCED DIMENSIONS



ELECTRO STATIC TECHNOLOGY
 AN ITW COMPANY

31 WINTERBROOK ROAD, MECHANIC FALLS, MAINE 04256
 PHONE (207)998-5140 FAX (207)998-5143

DATE: 3/03/2010

ENGINEER: J. Richardson

iPRO120 Split Bearing Protection Ring™

iPRO Split Template

Rev. G

Notes:

- Split iPRO For Shaft Diameters Up To 10" (254.0mm)
- 1: Supplied With 4 M4x.7x35mm SHCS And Lock Washers
- 2: Contains 6 rows of conductive micro fibers
- 3: To be Installed In Conjunction With AEGIS Colloidal Silver Coating PN/CS015