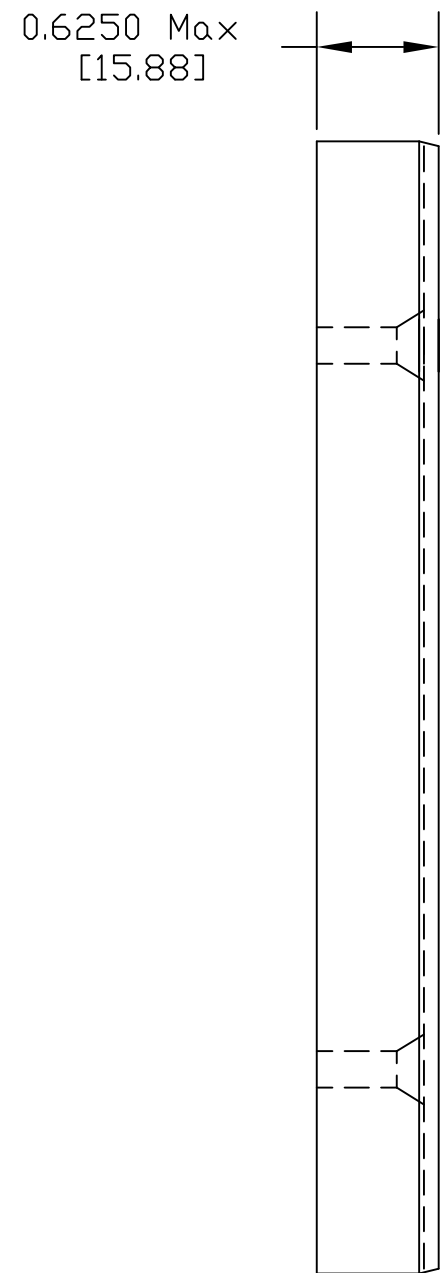
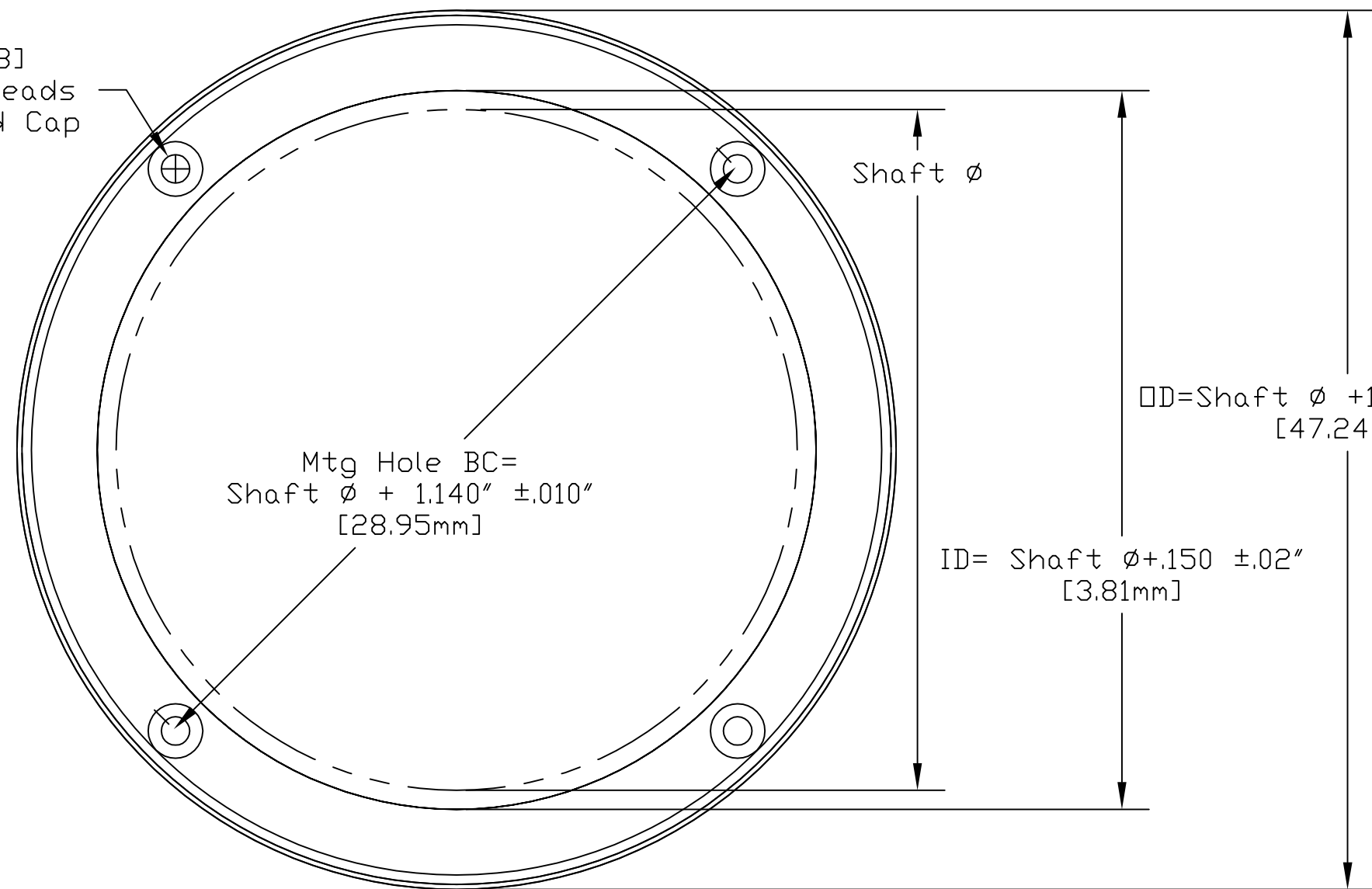


Patented Technology



Mounting Holes
 $\varnothing 0.1880 +.010/-0$ [$\varnothing 4.78$]
 82° "C" Sink For FHCS Heads
 To Be Slightly Below End Cap
 Surface (4X)



Fiber $\varnothing = \text{Shaft } \varnothing - .060" \pm .010$ [1.52mm $\pm .25$]

Flat Head Screw Mounting

- Notes:
- 1: PROSL For Shaft Diameters Up To 15.748" [400mm]
 - 2: PROSL-_____-1FH Supplied With 4, 8-32 X 1" FHCS
 - 3: Contains 6 Rows Of Conductive Micro Fibers
 - 4: To be Installed In Conjunction With AEGIS® Colloidal Silver Coating PN CS015

THEREIN, ARE THE EXCLUSIVE PROPERTY OF ELECTRO STATIC TECHNOLOGY ISSUED IN STRICT CONFIDENCE AND SHALL NOT WITHOUT CONSENT, BE REPRODUCED, COPIED OR USED FOR ANY PURPOSE WHATSOEVER, EXCEPT BUSINESS WITH E.S.T.

UNLESS OTHERWISE SPECIFIED

DIMENSIONS ARE IN.

MILLIMETERS

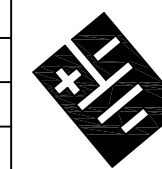
INCHES

UNTOLERANCED DIMENSIONS

OVER	TO	TOLERANCE

DATE: 12/7/11

ENGINEER: J. Richardson



ELECTRO STATIC TECHNOLOGY
 AN ITW COMPANY

31 WINTERBROOK ROAD, MECHANIC FALLS, MAINE 04256
 PHONE (207)998-5140 FAX (207)998-5143

PROSL Bearing Protection Ring

PROSL Solid Template -_FH

Rev. A