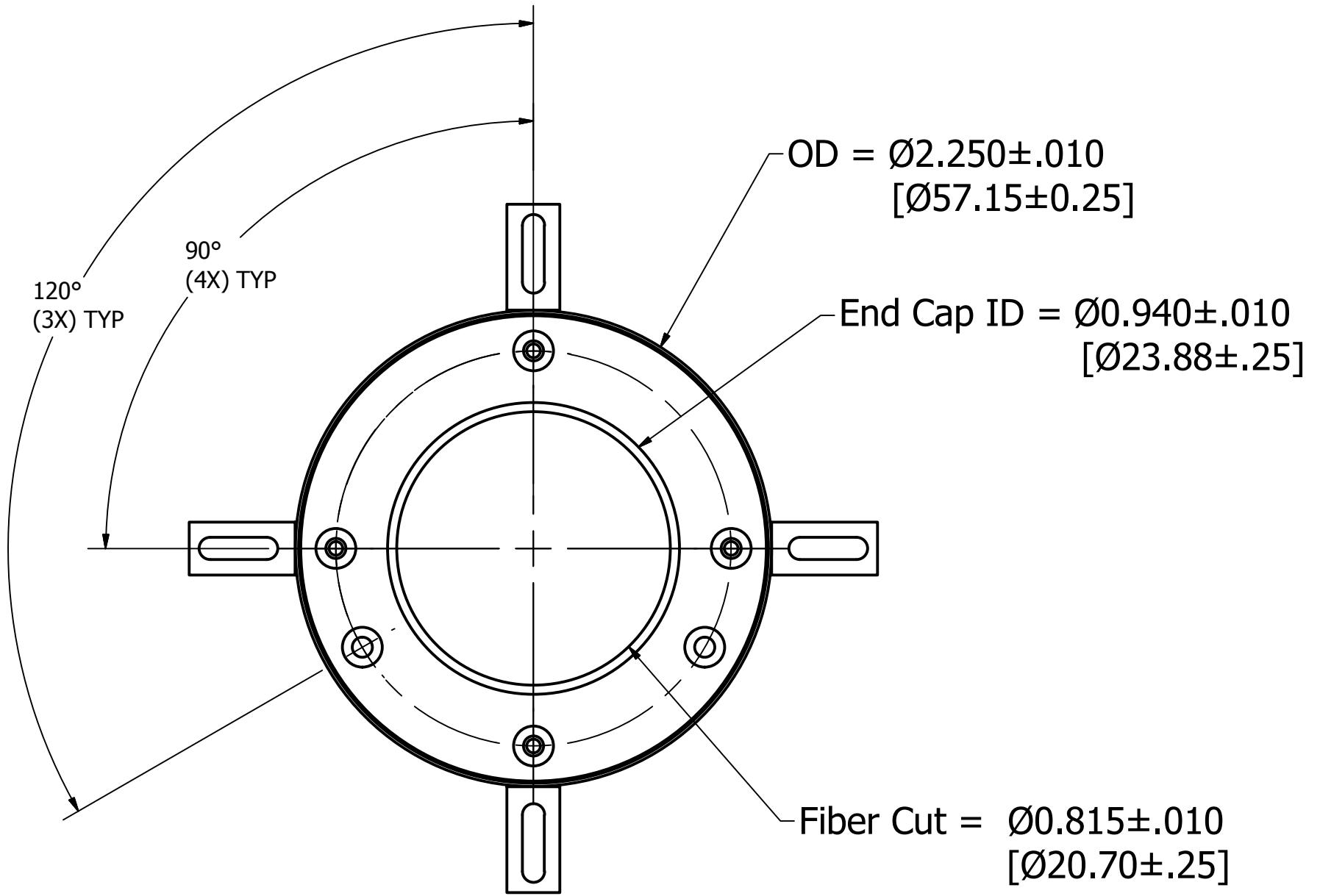
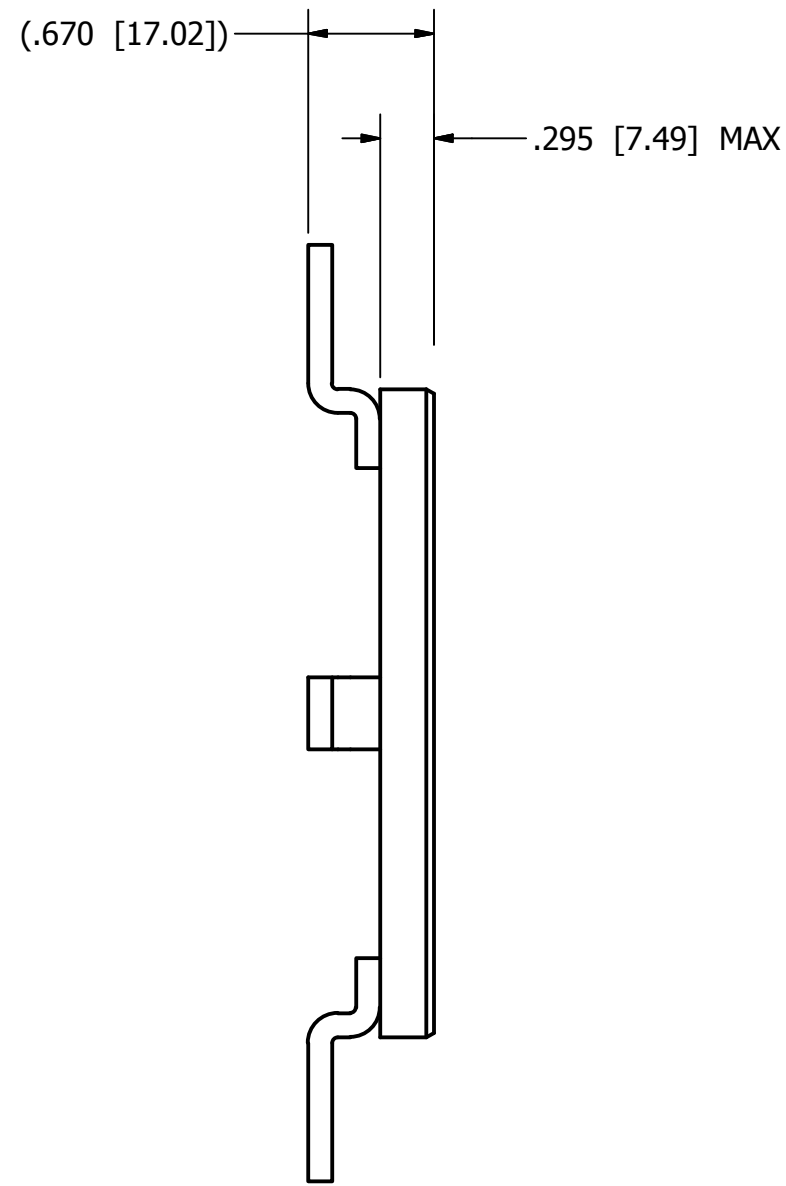
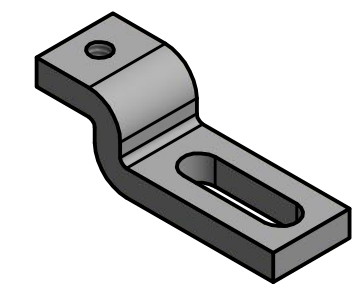


Not Drawn to Scale

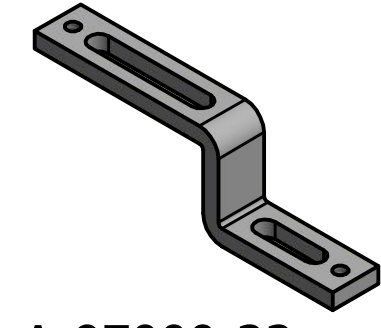


Bracket Shown on Drawing



**A-97000-18**

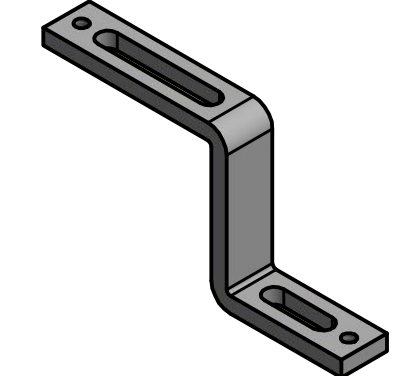
Mtg Bolt Circle: Ø2.650 -- Ø3.450  
[Ø67.31] [Ø87.63]



**A-97000-22  
(Reversible)**

Mtg Bolt Circle: Ø3.950 (normal) -- Ø5.625 [Ø100.33] [Ø142.88]

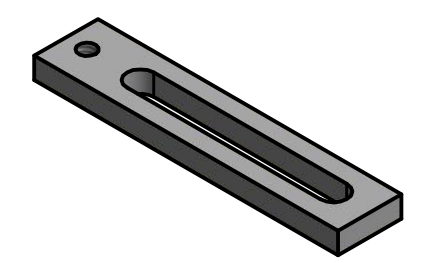
Mtg Bolt Circle: Ø4.825 (reversed) -- Ø5.625 [Ø122.56] [Ø142.88]



**A-97000-23  
(Reversible)**

Mtg Bolt Circle: Ø3.950 (normal) -- Ø5.625 [Ø100.33] [Ø142.88]

Mtg Bolt Circle: Ø4.825 (reversed) -- Ø5.625 [Ø122.56] [Ø142.88]



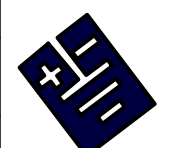
**A-97000-20**

Mtg Bolt Circle: Ø2.700 -- Ø4.575  
[Ø68.58] [Ø116.21]

**Notes:**

- AEGIS SGR-0.875-UKIT Includes
- (1) AEGIS SGR Bearing Protection Ring
  - (4) Universal brackets Of Each size (16 total)
  - (4) 5-40 x 3/8 Flat Head Cap Screws
  - (4) 6-32 x 3/8 Socket Head Cap Screws
  - (4) #6 Flat Washers
  - (4) #6 Split Lock Washers
  - 5/64" Allen Wrench
  - 7/64" Allen Wrench

Patented Technology US Patent 8,199,453; 8,169,766; 7,193,836

|   |  |
|---|--|
| THEREIN, ARE THE EXCLUSIVE PROPERTY OF ELECTRO STATIC TECHNOLOGY ISSUED IN STRICT CONFIDENCE AND SHALL NOT WITHOUT CONSENT, BE REPRODUCED, COPIED OR USED FOR ANY PURPOSE WHATSOEVER, EXCEPT BUSINESS WITH E.S.T. |  |
| UNLESS OTHERWISE SPECIFIED<br>DIMENSIONS ARE IN:<br>inch [mm]   |  <b>ELECTRO STATIC TECHNOLOGY</b><br>AN ITW COMPANY |
| UNTOLERANCED DIMENSIONS<br>± .020 [0.5mm]   |  |
| DATE: 5/2/2017  | 31 WINTERBROOK ROAD, MECHANIC FALLS, MAINE 04256<br>PHONE (207)998-5140 FAX (207)998-5143  |
| ENGINEER: A. Gen  | To Suit 0.875" Shaft Diameter<br>PART NUMBER: SGR-0.875-UKIT<br>REV A  |