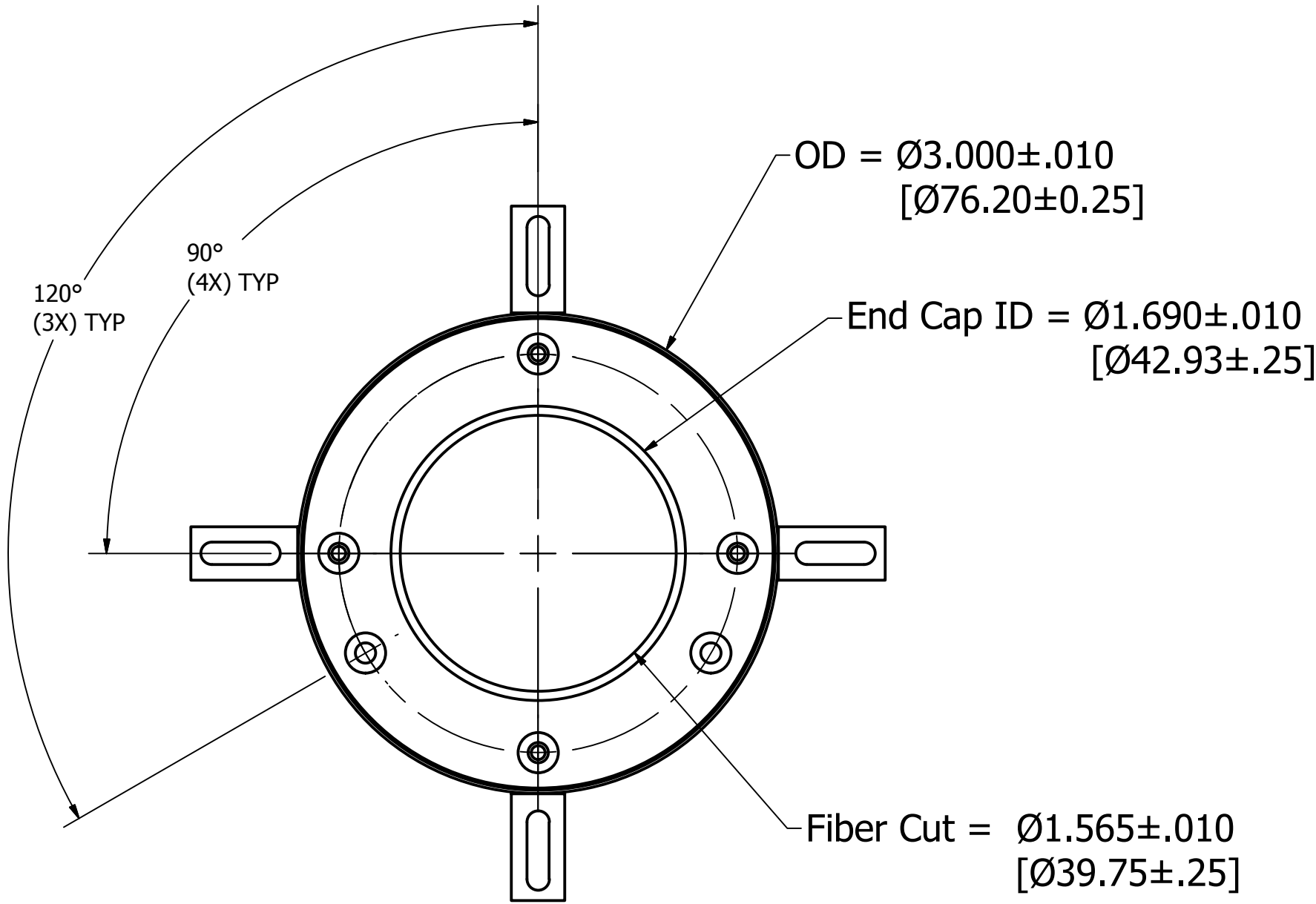
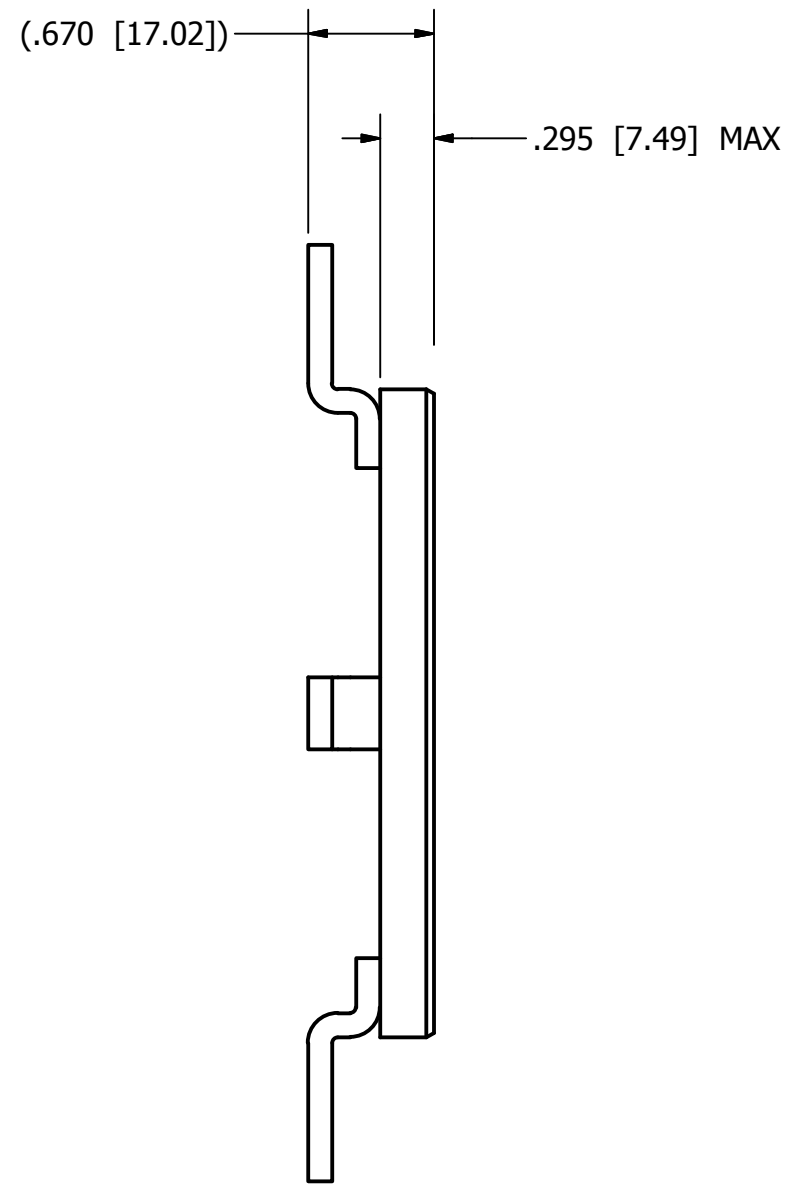
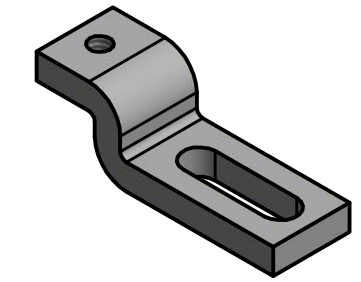


Not Drawn to Scale

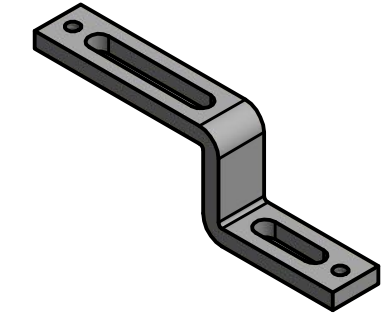


Bracket Shown on Drawing



**A-97000-18**

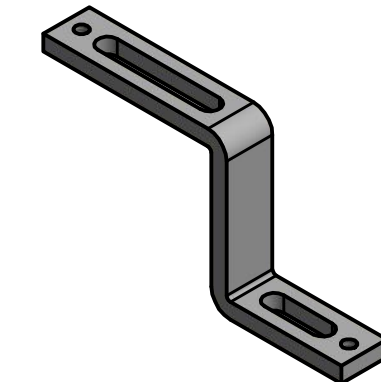
Mtg Bolt Circle: Ø3.400 -- Ø4.200  
[Ø86.36] [Ø106.68]



**A-97000-22  
(Reversible)**

Mtg Bolt Circle: Ø4.700 (normal) -- Ø6.375 [Ø119.38] [Ø161.93]

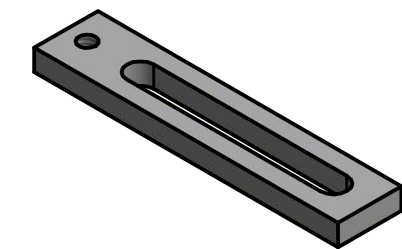
Mtg Bolt Circle: Ø5.575 (reversed) -- Ø6.375 [Ø141.61] [Ø161.93]



**A-97000-23  
(Reversible)**

Mtg Bolt Circle: Ø4.700 (normal) -- Ø6.375 [Ø119.38] [Ø161.93]

Mtg Bolt Circle: Ø5.575 (reversed) -- Ø6.375 [Ø141.61] [Ø161.93]



**A-97000-20**

Mtg Bolt Circle: Ø3.450 -- Ø5.325  
[Ø87.63] [Ø135.26]

**Notes:**

AEGIS SGR-1.625-UKIT Includes

- (1) AEGIS SGR Bearing Protection Ring
- (4) Universal brackets Of Each size (16 total)
- (4) 5-40 x 3/8 Flat Head Cap Screws
- (4) 6-32 x 3/8 Socket Head Cap Screws
- (4) #6 Flat Washers
- (4) #6 Split Lock Washers
- 5/64" Allen Wrench
- 7/64" Allen Wrench

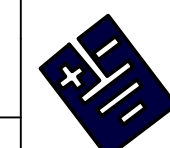
Patented Technology US Patent 8,199,453; 8,169,766; 7,193,836

THEREIN, ARE THE EXCLUSIVE PROPERTY OF ELECTRO STATIC TECHNOLOGY ISSUED IN STRICT CONFIDENCE AND SHALL NOT WITHOUT CONSENT, BE REPRODUCED, COPIED OR USED FOR ANY PURPOSE WHATSOEVER, EXCEPT BUSINESS WITH E.S.T.

UNLESS OTHERWISE SPECIFIED  
DIMENSIONS ARE IN:  
inch [mm]

UNTOLERANCED DIMENSIONS  
± .020 [0.5mm]

DATE: 5/2/2017  
ENGINEER: A. Gen



**ELECTRO STATIC TECHNOLOGY**  
AN ITW COMPANY

31 WINTERBROOK ROAD, MECHANIC FALLS, MAINE 04256  
PHONE (207)998-5140 FAX (207)998-5143

**To Suit 1.625" Shaft Diameter**

PART NUMBER: SGR-1.625-UKIT      REV A