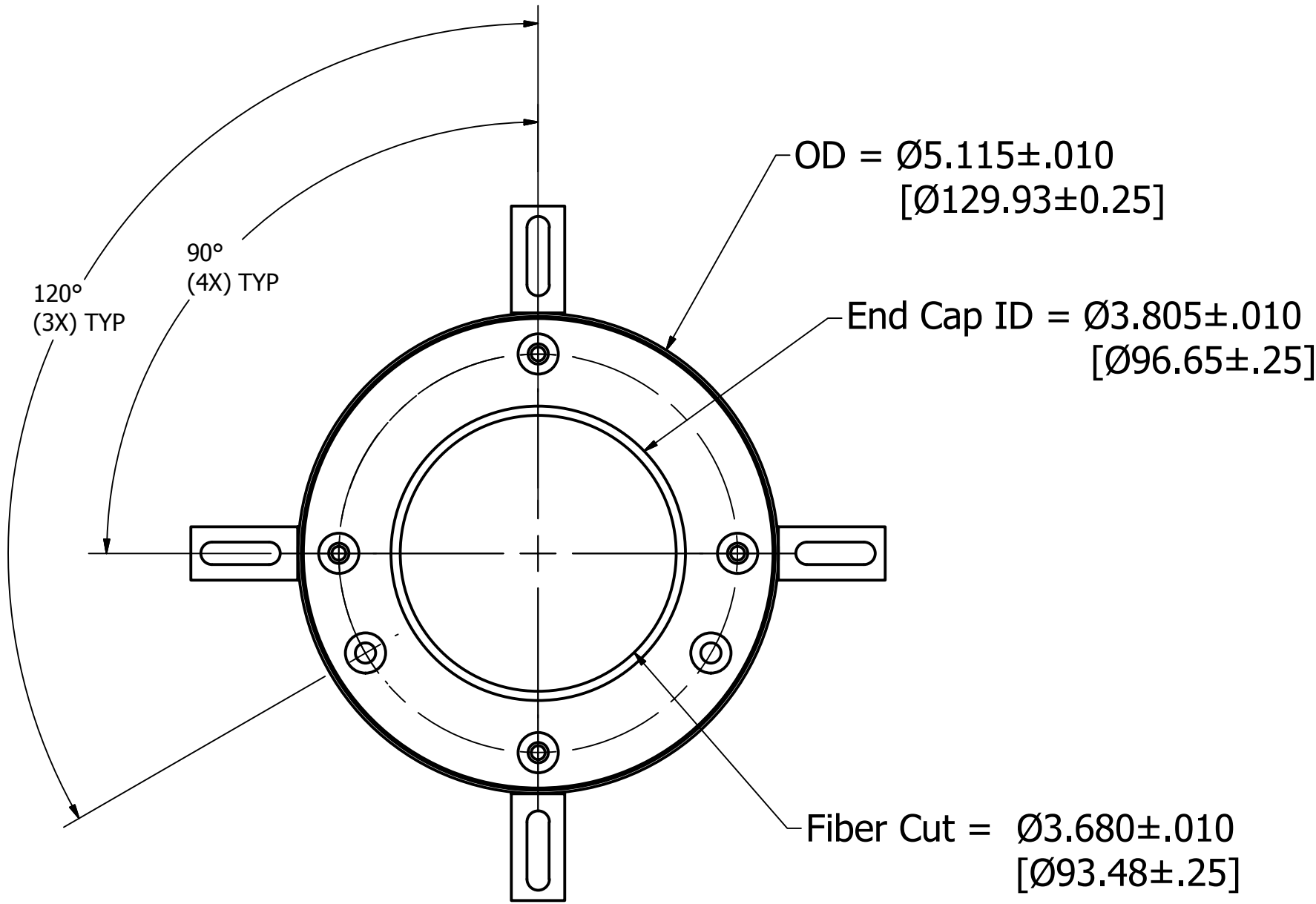
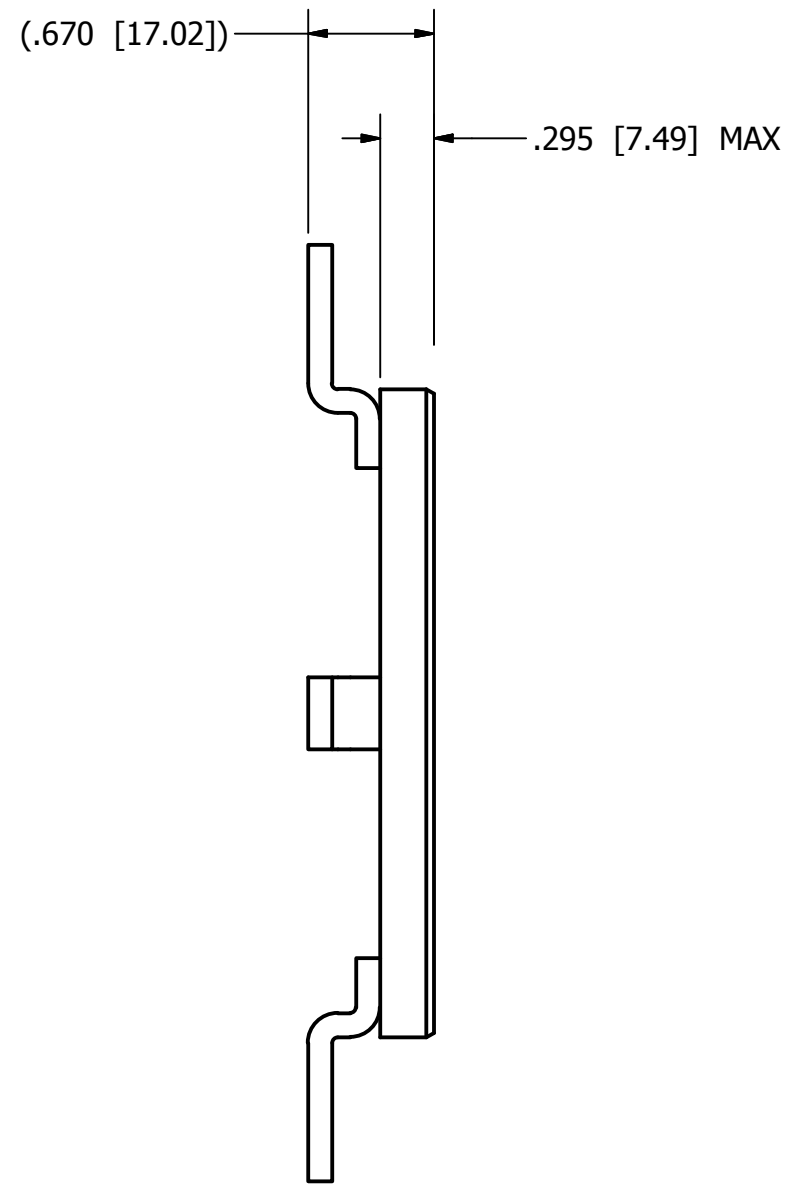
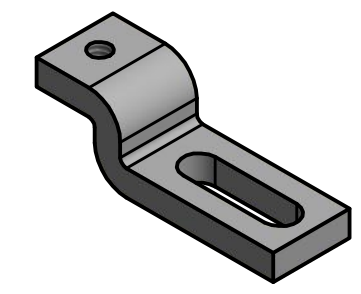


Not Drawn to Scale

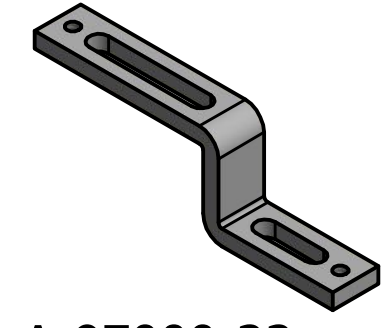


Bracket Shown on Drawing



A-97000-18

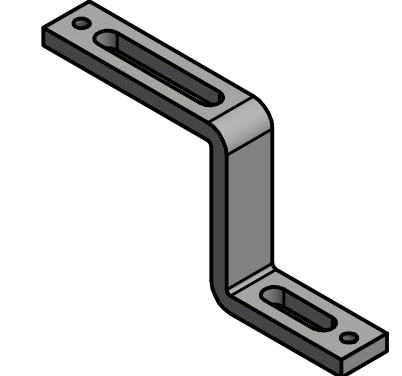
Mtg Bolt Circle: Ø5.515 -- Ø6.315  
[Ø140.09] [Ø160.41]



A-97000-22  
(Reversible)

Mtg Bolt Circle: Ø6.815 (normal) -- Ø8.490 [Ø173.11] [Ø215.65]

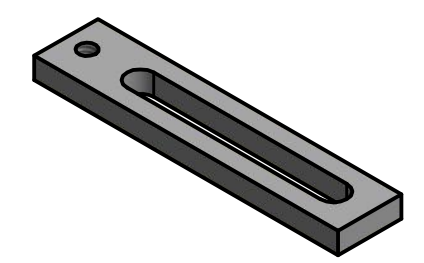
Mtg Bolt Circle: Ø7.690 (reversed) -- Ø8.490 [Ø195.33] [Ø215.65]



A-97000-23  
(Reversible)

Mtg Bolt Circle: Ø6.815 (normal) -- Ø8.490 [Ø173.11] [Ø215.65]

Mtg Bolt Circle: Ø7.690 (reversed) -- Ø8.490 [Ø195.33] [Ø215.65]



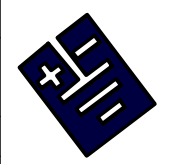
A-97000-20

Mtg Bolt Circle: Ø5.565 -- Ø7.440  
[Ø141.36] [Ø188.98]

Notes:

- AEGIS SGR-95.0-UKIT Includes
- (1) AEGIS SGR Bearing Protection Ring
  - (4) Universal brackets Of Each size (16 total)
  - (4) 5-40 x 3/8 Flat Head Cap Screws
  - (4) M4 x .7 x 10mm Socket Head Cap Screws
  - (4) M4 Flat Washers
  - (4) M4 Split Lock Washers
  - 5/64" Allen Wrench
  - 3mm Allen Wrench

Patented Technology US Patent 8,199,453; 8,169,766; 7,193,836

|   |  |
|---|--|
| THEREIN, ARE THE EXCLUSIVE PROPERTY OF ELECTRO STATIC TECHNOLOGY ISSUED IN STRICT CONFIDENCE AND SHALL NOT WITHOUT CONSENT, BE REPRODUCED, COPIED OR USED FOR ANY PURPOSE WHATSOEVER, EXCEPT BUSINESS WITH E.S.T. |  |
| UNLESS OTHERWISE SPECIFIED DIMENSIONS ARE IN:<br>inch [mm]  |  <b>ELECTRO STATIC TECHNOLOGY</b><br>AN ITW COMPANY |
| UNTOLERANCED DIMENSIONS<br>± .020 [0.5mm]   |  |
| DATE: 5/3/2017  | 31 WINTERBROOK ROAD, MECHANIC FALLS, MAINE 04256<br>PHONE (207)998-5140 FAX (207)998-5143  |
| ENGINEER: A. Gen  | To Suit 95mm Shaft Diameter<br>PART NUMBER: SGR-95.0-UKIT<br>REV A   |